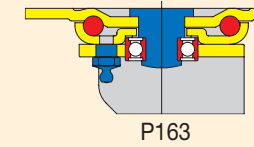
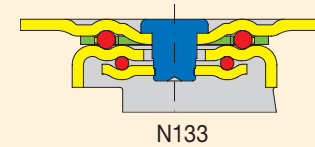
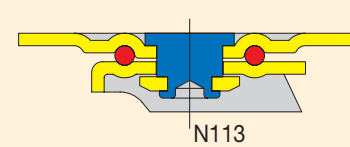


MAXIMA

SERIE N







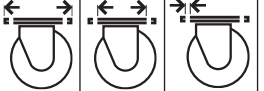
**SUPPORTO MEDIO NERO
 BLACK MEDIUM DUTY HOUSING**



PORTATA - LOAD CAPACITY **Kg. 150 - 550**

Supporto stampato in acciaio di forte spessore girevole su sfere per carichi elevati ed ingombri ridotti. Possibilità di frenatura della sola ruota. Finitura nera.

Heavy duty pressed steel housing swivel on balls. Possibility to brake only the wheel. Black finishing.

										 SUPPORTO GIREVOLE SWIVEL HOUSING M18x20		 FRENO RUOTA WHEEL BRAKE M18x20				 SUPPORTO GIREVOLE SWIVEL HOUSING		 FRENO RUOTA WHEEL BRAKE		 SUPPORTO GIREVOLE SWIVEL HOUSING		 FRENO RUOTA WHEEL BRAKE		 SUPPORTO FISSO FIXED HOUSING	
mm	mm	mm	mm	mm	mm	mm	mm	mm	Kg. (da N)	ART.	ART.	ART.	ART.	ART.	ART.	ART.	ART.	ART.	ART.						
SUPPORTO NERO • BLACK HOUSING																									
50/63	40	95x56	74,5x44,5	7	40/47	24/27	8	—	150	N113 50 M18	N313 50 M18	N113 50	N313 50	—	—	—	—	95x70	74,5x44,5	7,5	N203 63				
76	50	110x85	85,5x60	8,5	62	22	10	12	350	—	—	—	—	N133 76	N333 76	—	—	N133 76Q12	N333 76Q12	105x85	86x49,5	8,5	N203 76		
80	50	110x85	85,5x60	8,5	67	22	10	12	350	—	—	—	—	N133 80	N333 80	—	—	N133 80Q12	N333 80Q12	105x85	86x49,5	8,5	N203 80		
80	50	110x85	85,5x60	8,5	67	22	12	—	550	—	—	—	—	—	—	P163 80	—	—	—	105x85	86x49,5	8,5	N203 80		
100	50	110x85	85,5x60	8,5	75	22	10	12	350	—	—	—	—	N133 100	N333 100	—	—	N133 100Q12	N333 100Q12	105x85	86x49,5	8,5	N203 100		
125	50	110x85	85,5x60	8,5	90	22	10	12	350	—	—	—	—	N133 125	N333 125	—	—	N133 125Q12	N333 125Q12	—	—	—	—		