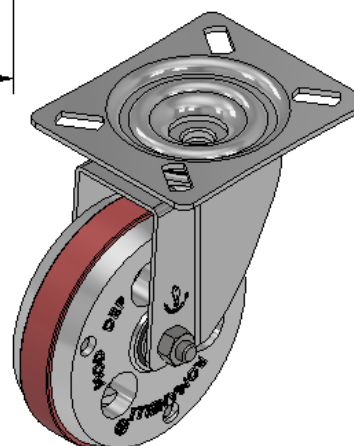
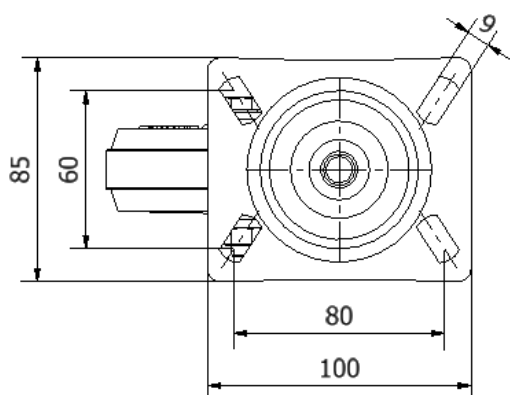
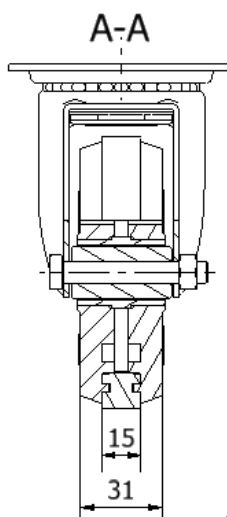
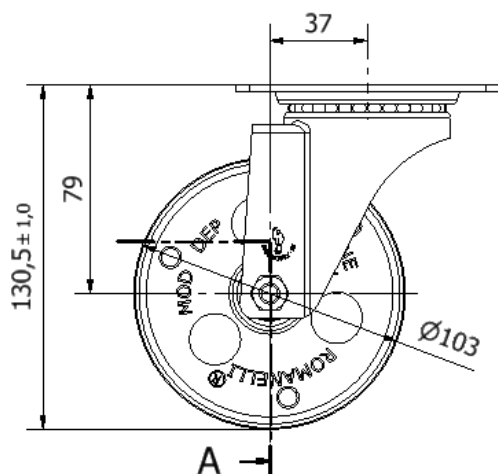




- PTFE special compound tread
- Die cast aluminium wheel centre
- Type of bearing: Plain bore
- Temperature range:  $-40^{\circ}\text{C} \div +300^{\circ}\text{C}$
- Maximum working speed 4 km/h
- Standard housing serie INOX 80M

PRODUCT CODE:  
M21 010 100035

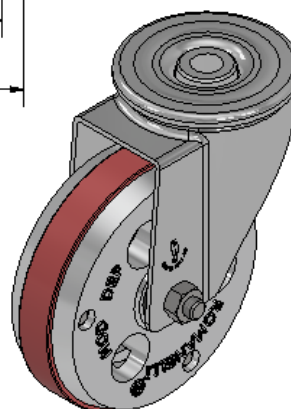
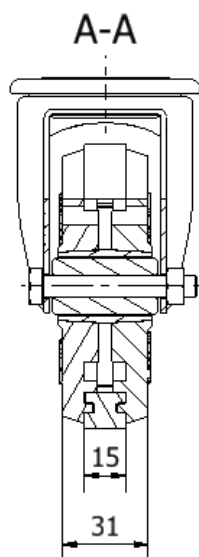
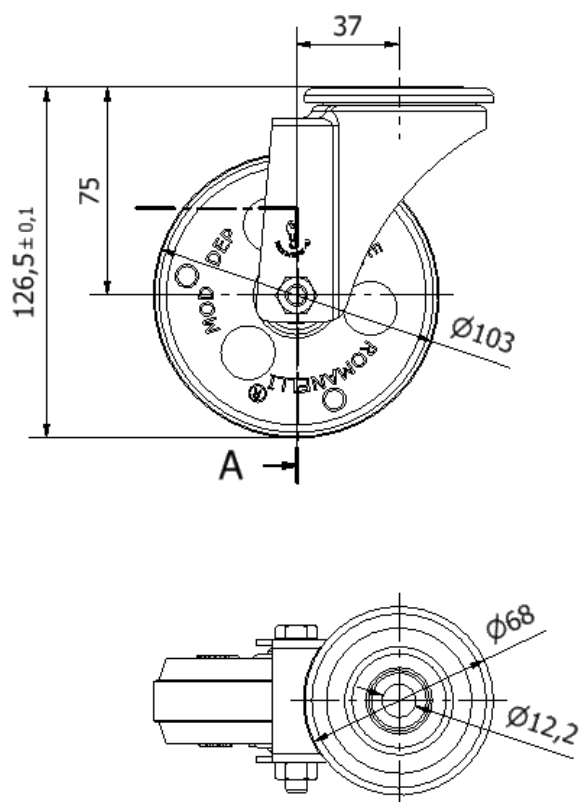


DIMENSIONAL FEATURES	UNIT	DIMENSION
Wheel diameter	mm	103
Wheel width	mm	15
Hub length	mm	31
Overall height	mm	130,5
Plate size	mm	100x85
Bolt hole spacing	mm	80x60
Bolt hole diameter	mm	9
Offset	mm	37
Weight	kg	1,0
Load capacity	kg	150
<b>COMPONENTS:</b>		
Standard housing serie INOX 80M cod. 80M10100 (without plastic dust protection ring)		
Only wheel serie A21 cod. A21 000 100035		

- PTFE special compound tread
- Die cast aluminium wheel centre
- Type of bearing: Plain bore
- Temperature range:  $-40^{\circ}\text{C} \div +300^{\circ}\text{C}$
- Maximum working speed 4 km/h
- Standard housing serie INOX 80M



PRODUCT CODE:  
M21 030 100035R12



DIMENSIONAL FEATURES	UNIT	DIMENSION
Wheel diameter	mm	103
Wheel width	mm	15
Hub lenght	mm	31
Overall height	mm	126,5
Plate size	mm	Ø68
Bolt hole diameter	mm	Ø12,2
Offset	mm	37
Weight	kg	0,9
Load capacity	kg	150
<b>COMPONENTS:</b>		
Standard housing serie INOX 80M cod. 80M30100R12		
Only wheel serie A21 cod. A21 000 100035		

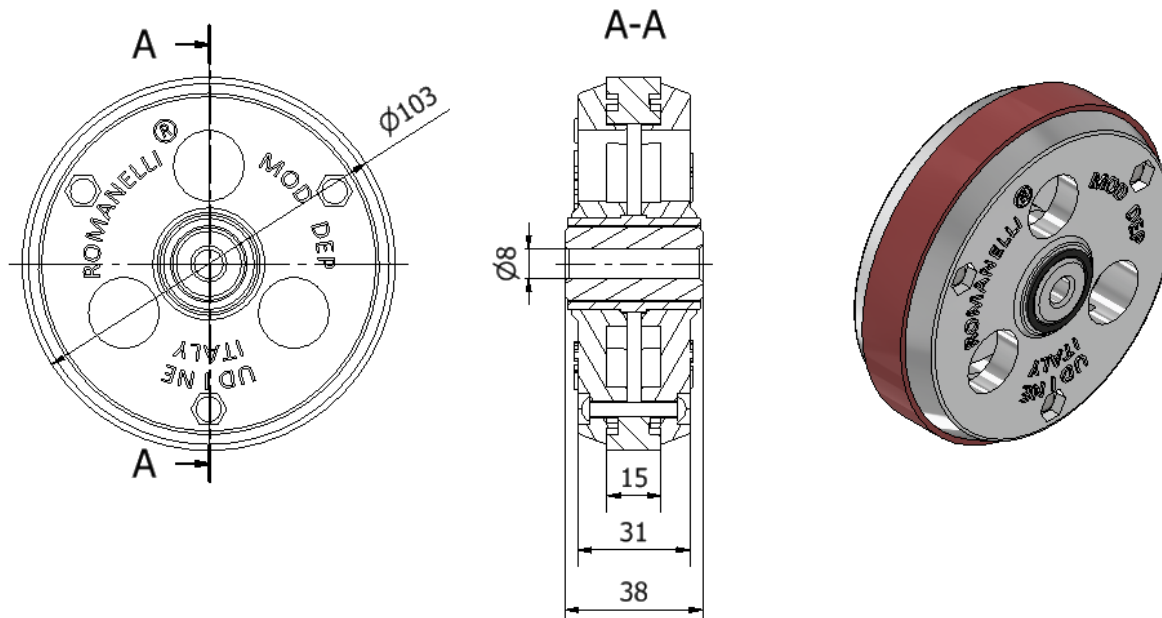
Tel: 04/257 68 20  
Gsm: 040/99 00 11



- PTFE special compound tread
- Die cast aluminium wheel centre
- Type of bearing: Plain bore
- Temperature range: -40°C ÷ +300°C
- Maximum working speed 4 km/h






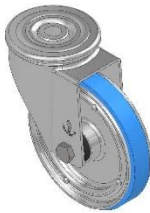
- Tekalna plast iz posebne PTFE zmesi
- Pesto kolesa iz tlačno litega aluminija
- Vrsta ležaja: drsna izvrtina
- Temperaturno območje: -40°C ÷ +300°C
- Maksimalna delovna hitrost 4 km/h

PRODUCT CODE:  
**A21 000 100035**



DIMENSIONAL FEATURES	UNIT	DIMENSION
Wheel diameter	mm	103
Wheel width	mm	15
Hub length	mm	31
Wheel axle length	mm	38
Wheel axle diameter	mm	Ø8
Weight	kg	0,5
Load capacity	kg	250



MODELLO	SOLO RUOTA	SUPP. GIREVOLE CON PIASTRA INOX	SUPP. GIREVOLE FORO PASSANTE INOX RID.12
CLASSIC (Ø80-Ø100)	 A21 000 080035 A21 000 100035	 M21 010 080035 M21 010 100035	 M21 030 080035R12 M21 030 100035R12
PLUS LOW (Ø100)	 ALO 000 100035	 MLO 010 100035	 MLO 030 100035R12
LINE (Ø100)	 ABL 000 100035	 MBL 010 100035	 MBL 030 100035R12
DRIVER FULL (Ø100)	 A21 000 080035 A21 000 100035	 M21 010 080035 M21 010 100035	 M21 030 080035R12 M21 030 100035R12
LINE HARD (Ø100)	 ABH 000 100035	 MBH 010 100035	 MBH 030 100035R12